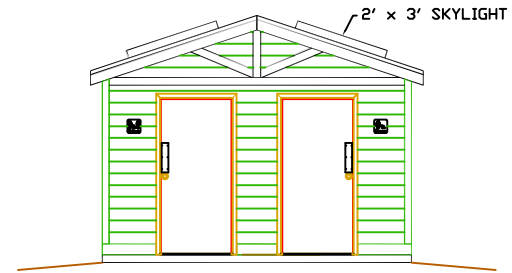
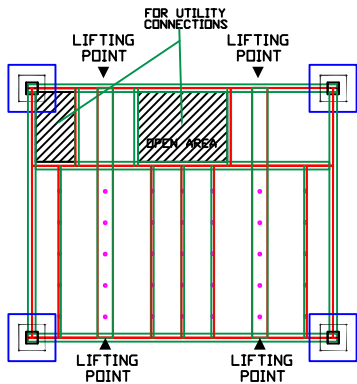


FLOOR PLAN

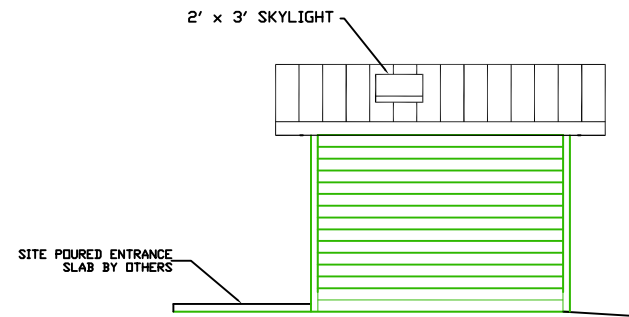


FRONT ELEVATION

NOTE: BUILDING SHOWN WITH 8" O.C. GROOVE PANEL SIDING.



PIER LOCATION PLAN
STEEL FRAMING & LIFTING



RIGHT ELEV.

NOTE:
LANDINGS, WALKWAYS AND RAMPS ARE TO BE SUPPLIED AND
INSTALLED BY OTHERS AS REQUIRED TO MEET LOCAL HANDICAP
ACCESSIBILITY REQUIREMENTS.

◇ SYMBOL: SUPPLIED BY MANUFACTURER AND
INSTALLED BY OTHERS.
◊ SYMBOL: SUPPLIED AND INSTALLED BY OTHERS.
NOTE: AMMENTITIES SUPPLIED MAY BE RELOCATED
TO ACCOMIDATE TRAFFIC OR USE PATTERN
WITHOUT DEVIATING FROM ADA RULES
BUILDING CODES AND MODULAR SHIPPING ABILITY.

MODEL: R22-1514, 2 TOILET,
2 LAVITORY, RESTROOM BUILDING

